

ILLUSTRATED PARTS BREAKDOWN

PARTNER

12 HP, 42" MOWER DECK

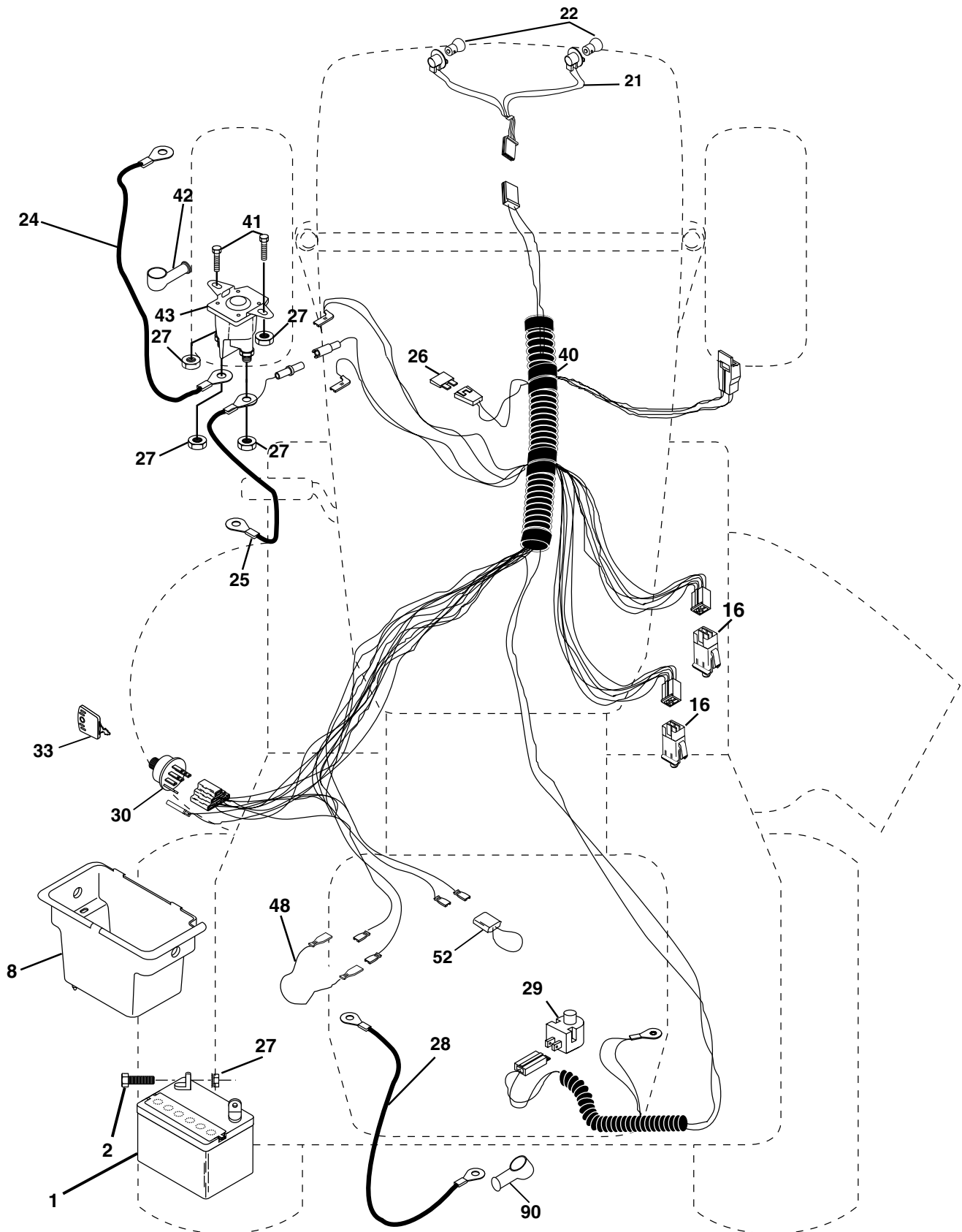
LAWN TRACTOR

MODEL NUMBER 12-107 (PP12107C)

PRODUCT NUMBER 964 79 30-00

REPAIR PARTS

TRACTOR - - MODEL NUMBER 12-107 (PP12107C), PRODUCT NO. 964 79 30-00
ELECTRICAL



REPAIR PARTS

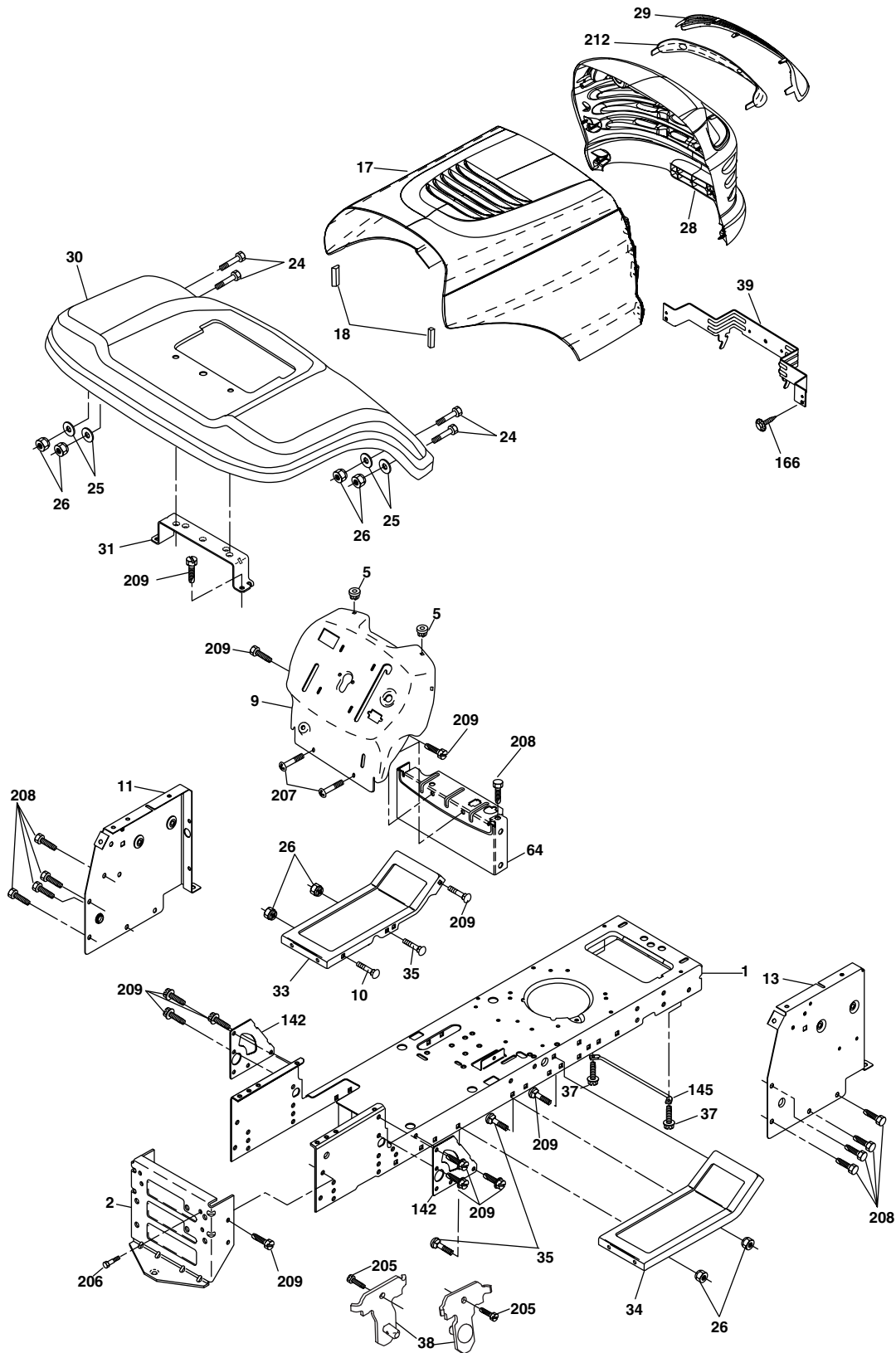
TRACTOR - - MODEL NUMBER 12-107 (PP12107C), PRODUCT NO. 964 79 30-00
ELECTRICAL

| KEY NO. | PART NO. | DESCRIPTION |
|------------|--------------|------------------------------|
| 1 | 532 16 34-65 | Battery 12 Volt 25 Amp |
| 2 | 874 76 04-12 | Bolt Hex Hd 1/4-20 unc x 3/4 |
| 8 | 532 17 66-89 | Case Battery Mech Hiinge |
| 16 | 532 17 61-38 | Switch Interlock Push-In |
| 21 | 532 18 37-59 | Harness Asm Light W/4152j |
| 22 | 532 00 41-52 | Bulb Light #1156 |
| 24 | 532 12 47-80 | Cable Battery 6 Ga. 11"red |
| 25 | 532 14 61-47 | Cable Battery |
| 26 | 532 17 51-58 | Fuse |
| 27 | 873 51 04-00 | Nut Keps Hex 1/4-20 Unc |
| 28 | 532 12 47-73 | Cable Ground 6 Ga 12"black |
| 29 | 532 12 13-05 | Switch Plunger Nc Gray |
| 30 | 532 17 55-66 | Switch Ign |
| 33 | 532 14 04-01 | Key Ign |
| 40 | 532 17 97-20 | Harness Ign |
| 41 | 871 11 04-08 | Bolt Blk Fin Hex 1/4-20 |
| 42 | 532 13 15-63 | Cover Terminal Red |
| 43 | 532 17 88-61 | Solenoid |
| 48 | 532 14 08-44 | Adapter Ammeter |
| 52 | 532 14 19-40 | Protection Wire Loop |
| 90 | 532 18 04-49 | Cover Terminal Battery |

NOTE: All component dimensions given in U. S.
inches 1 inch = 25.4 mm.

REPAIR PARTS

TRACTOR - - MODEL NUMBER 12-107 (PP12107C), PRODUCT NO. 964 79 30-00
CHASSIS



chassis_elite value_stlt_2

REPAIR PARTS

TRACTOR - - MODEL NUMBER 12-107 (PP12107C), PRODUCT NO. 964 79 30-00
CHASSIS

| KEY NO. | PART NO. | DESCRIPTION |
|---------|---------------------|----------------------------------|
| 1 | 532 17 46-19 | Chassis |
| 2 | 532 17 65-54 | Drawbar |
| 5 | 532 15 52-72 | Bumper Hood Dash |
| 9 | 532 18 94-12 | Dash |
| 10 | 872 14 06-08 | Bolt Rdhd Sqnk 3/8-16unc x 1 |
| 11 | 532 17 49-96 | Panel Dash LH |
| 13 | 532 18 69-52 | Panel Dash RH |
| 14 | 817 49 06-08 | Screw Thdrol 3/8-16 x 1/2 |
| 17 | 532 18 65-80 | Hood |
| 18 | 532 12 69-38 | Bumper Hood |
| 24 | 874 78 06-16 | Bolt Fin Hex 3/8-16unc x 1 Gr. 5 |
| 25 | 819 13 13-12 | Washer 13/32 x 13/16 x 12 Ga. |
| 26 | 873 80 06-00 | Nut Lock Hex w/Ins 3/8-16 unc |
| 28 | 532 18 35-52 | Grille/Lens Asm |
| 29 | 532 18 58-46 | Lens Grille |
| 30 | 532 18 65-86 | Fender |
| 31 | 532 13 66-19 | Bracket Fender Repl 109873x |
| 33 | 532 18 25-07 | Footrest Pnt LH |
| 34 | 532 18 25-08 | Footrest Pnt RH |
| 35 | 872 11 06-06 | Bolt Rdhd Sht Sqnk 3/8-16 X3/4 |
| 37 | 817 49 05-08 | Screw Thdrol 5/16-18 x 1/2 Tyl |
| 38 | 532 17 57-10 | Bracket Asm Pivot Mower Rear |
| 39 | 532 17 47-14 | Bracket Pivot Laser |
| 64 | 532 15 47-98 | Dash Lower STLT |
| 142 | 532 17 57-02 | Plate Reinforcement STLT |
| 145 | 532 15 65-24 | Rod Pivot Chassis/Hood |
| 166 | 532 17 18-75 | Screw HWHD Hi-Lo #13-16 x 3/4 |
| 206 | 532 17 01-65 | Bolt Shoulder 5/16-18 |
| 207 | 817 67 05-08 | Screw Thdrol 5/16-18 x 1/2 |
| 208 | 817 67 06-08 | Screw Thdrol 3/8-16 x 1/2 |
| 209 | 817 00 06-12 | Screw Hex Wsh Thdr 3/8-16 x 3/4 |
| 212 | 532 18 35-50 | Insert Lens Reflective |

NOTE: All component dimensions given in U.S. inches
1 inch = 25.4 mm.

REPAIR PARTS

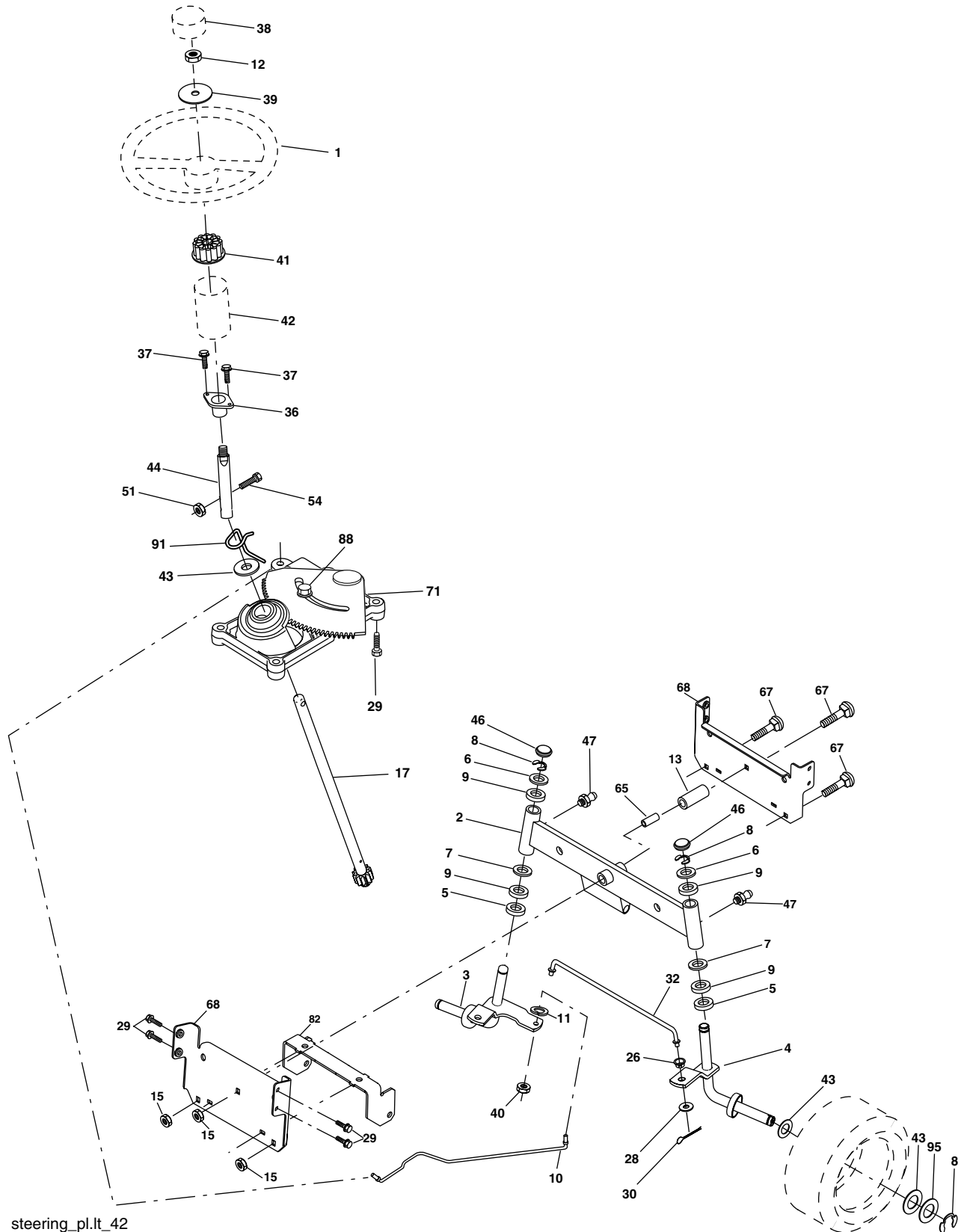
TRACTOR - - MODEL NUMBER 12-107 (PP12107C), PRODUCT NO. 964 79 30-00 DRIVE

| KEY NO. | PART NO. | DESCRIPTION | KEY NO. | PART NO. | DESCRIPTION |
|---------|--------------|--|---------|--------------|--------------------------------------|
| 1 | ----- | Transaxle, Peerless 205-544C (Order parts from transaxle manufacturer) | 64 | 532 17 39-37 | Bolt Hex 7/16-20 x 4 x Gr. 5-1.5 THR |
| 2 | 532 14 66-82 | Spring Return Brake T/a Zinc | 65 | 810 04 07-00 | Washer Lock Hvy Hlcl Spr 7/16 |
| 3 | 532 12 36-66 | Pulley Transaxle 18" tires | 66 | 532 15 47-78 | Keeper Belt Engine Foolproof |
| 4 | 812 00 00-28 | Ring Retainer # 5100-62 | 69 | 532 14 24-32 | Screw Hex Wsh Hi-Lo 1/4-1/2 unc |
| 5 | 532 12 15-20 | Strap Torque 30 Degrees | 70 | 532 18 02-18 | Guide Belt Mower Drive RH |
| 6 | 817 06 05-12 | Screw 5/16-18 x 3/4 | 74 | 532 13 70-57 | Spacer Axle |
| 8 | 532 16 56-19 | Rod Shifter Fender Adj Lt | 75 | 532 12 17-49 | Washer 25/32 x 1 1/4 x 16 Ga. |
| 10 | 876 02 04-16 | Pin Cotter 1/8 x 1 Cad | 76 | 812 00 00-01 | E-ring #5133-75 |
| 11 | 532 10 57-01 | Washer Plate Shf 388 Sq Hole | 77 | 532 12 35-83 | Key Square 2 0 x 1845/ 1865 |
| 13 | 874 55 04-12 | Bolt 1/4-28 unf Gr. 8 W/Patch | 78 | 532 12 17-48 | Washer 25/32 x 1-5/8 x 16 Ga. |
| 14 | 810 04 04-00 | Washer Lock Hvy Helical 1/4 | 79 | 532 12 50-96 | Key Woodruff |
| 15 | 874 49 05-44 | Bolt Hex FLGHD 5/16-18 Gr. 5 | 80 | 532 13 14-86 | Arm Shift |
| 16 | 873 80 05-00 | Nut Lock | 81 | 532 16 55-94 | Shaft Asm Cross Tapered 20"t |
| 18 | 874 78 06-16 | Bolt, Fin Hex 3/8-16 unc x 1 Gr. 5 | 82 | 532 12 37-82 | Spring Torsion T/a |
| 19 | 873 80 06-00 | Nut Lock 3/8-16 Unc | 83 | 819 17 12-16 | Washer 17/32 x 3/4 x 16 Ga. |
| 21 | 532 10 69-33 | Knob | 84 | 532 16 62-28 | Link Transaxle |
| 22 | 532 13 08-04 | Rod Brake Blk Zinc 26 840 | 85 | 532 15 03-60 | Nut Lock Center 1/4 - 28 FNTHD |
| 24 | 873 35 06-00 | Nut Hex Jam 3/8-16 unc | 89 | 532 17 37-74 | Console Shift LT |
| 25 | 532 10 68-88 | Spring Rod Brake 2 00 Zinc | 96 | 532 12 47-88 | Retainer Spring |
| 26 | 819 13 13-16 | Washer 13/32 x 13/16 x 16 Ga. | 112 | 819 09 12-10 | Washer 9/32 x 3/4 x 10 Ga. |
| 27 | 876 02 04-12 | Pin Cotter 1/8 x 3/4 Cad | 113 | 532 12 72-85 | Strap Torque Lh |
| 28 | 532 17 57-65 | Rod Brake Parking | 116 | 872 14 06-08 | Bolt Rdhd Sq Neck 3/8-16 x 1.00 |
| 29 | 532 07 16-73 | Cap Brake Parking | 120 | 873 90 06-00 | Nut Lock Fig 3/8-16 |
| 30 | 532 17 49-73 | Bracket Mtg Transaxle | 150 | 532 17 54-56 | Spacer Retainer |
| 32 | 874 76 05-12 | Bolt Hex Hd 5/16-18 unc x 3/4 | 151 | 819 13 32-10 | Washer 13/32 x 2 x 10 |
| 34 | 532 17 55-78 | Shaft Asm Pedal Foot | 156 | 532 16 60-02 | Washer Srrted 5/16 ID x 1.125 |
| 35 | 532 12 01-83 | Bearing Nylon Blk 629 Id | 158 | 532 16 55-89 | Bracket Shift Mount |
| 36 | 819 21 16-16 | Washer 21/32 x 1 x 16 Ga. | 159 | 532 18 39-00 | Hub Tapered Flange Shift It |
| 37 | 532 12 49-63 | Pin Roll 3/16 x 1" | 161 | 872 14 04-06 | Bolt Rdhd Sqnk 1/4-20 x 3/4 Gr. 5 |
| 38 | 532 17 91-14 | Pulley Idler Composite | 162 | 873 68 04-00 | Nut Crownlock 1/4-20 unc |
| 39 | 872 11 06-22 | Bolt RDHD 3/8-16 unc x 2-3/4 Gr. 5 | 163 | 874 78 04-16 | Bolt Hex Fin 1/4-20 unc x 1 Gr. 5 |
| 41 | 532 17 55-56 | Keeper Belt Retainer Idler | 165 | 532 16 56-23 | Bracket Pivot Lever |
| 47 | 532 12 77-83 | Pulley Idler V Groove Plastic | 166 | 817 49 05-10 | Screw 5/16-18 x 5/8 |
| 48 | 532 15 44-07 | Bellcrank Asm | 168 | 532 16 54-92 | Bolt Shoulder 5/16-18 x .561 |
| 49 | 532 12 32-05 | Retainer Belt Style Spring | 169 | 532 16 55-80 | Plate Fastening Lt |
| 50 | 872 11 06-12 | Bolt Carr Sh 3/8-16 x 1-1/2 Gr. 5 | 170 | 532 18 74-14 | Keeper Belt T/A |
| 51 | 873 68 06-00 | Nut Crownlock 3/8-16 unc | 197 | 532 16 96-13 | Nyliner, Snap - in |
| 52 | 873 68 05-00 | Nut Crownlock 5/16-18 unc | 198 | 532 16 95-93 | Washer, Nyl. |
| 53 | 532 10 57-10 | Link Clutch | 202 | 872 11 06-14 | Bolt, 3/8 - 16 x 1-3/4 Gr. 5 |
| 55 | 532 10 57-09 | Spring Return Clutch 6 75 | 212 | 532 14 52-12 | Nut Flange Hex Lock |
| 56 | 817 06 06-20 | Screw 3/8-16 x 1-1/4 | 263 | 817 00 06-12 | Screw Hexwsh Thdr 3/8-16 x 3/4 |
| 57 | 532 13 08-01 | V-Belt Ground Drive | 268 | 532 18 24-02 | Guard Muffler OHV B & S RH |
| 59 | 532 16 96-91 | Keeper Belt Span Ctr | 275 | 819 13 16-14 | Washer 13/32 x 1 x 14 Ga. |
| 61 | 817 12 06-14 | Screw 3/8-16 x .875 | | | |
| 62 | 532 12 48-72 | Cover Pedal Blk Round | | | |
| 63 | 532 18 02-19 | Engine Pulley | | | |

NOTE: All component dimensions given in U.S. inches
1 inch = 25.4 mm

REPAIR PARTS

TRACTOR - - MODEL NUMBER 12-107 (PP12107C), PRODUCT NO. 964 79 30-00
STEERING



steering_pl.it_42

REPAIR PARTS

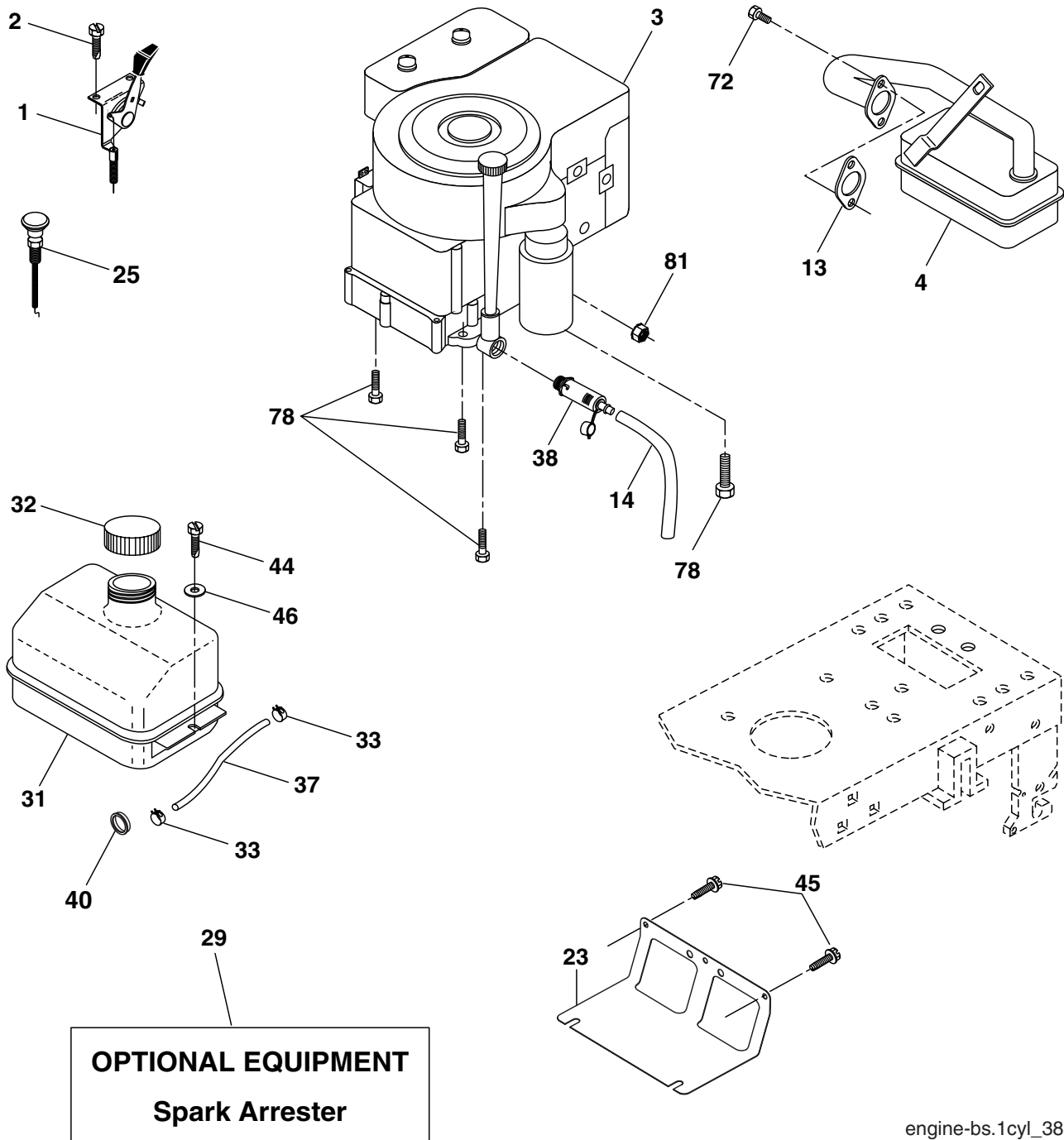
TRACTOR - - MODEL NUMBER 12-107 (PP12107C), PRODUCT NO. 964 79 30-00
STEERING

| KEY NO. | PART NO. | DESCRIPTION |
|---------|--------------|-----------------------------------|
| 1 | 532 13 97-68 | Wheel Steering Opp. Sears Blk |
| 2 | 532 17 51-31 | Axle Asm Fr |
| 3 | 532 16 98-40 | Spindle Asm LH |
| 4 | 532 16 98-39 | Spindle Asm RH |
| 5 | 532 12 49-31 | Bearing Race Thrust Harden |
| 6 | 532 12 17-48 | Washer 25/32 x 1-5/8 x 16 Ga. |
| 7 | 819 27 20-16 | Washer 27/32 x 1-1/4 x 16 Ga. |
| 8 | 812 00 00-29 | Ring Klip #t5304-75 |
| 9 | 532 12 49-37 | Bearing Col Strg Blk |
| 10 | 532 17 51-21 | Link Drag |
| 11 | 810 04 06-00 | Washer Lock Hvy Hlcl Spr 3/8 |
| 12 | 873 94 08-00 | Nut Hex Jam Toplock 1/2-20 unf |
| 13 | 532 13 65-18 | Spacer Brace Axle |
| 15 | 532 14 52-12 | Nut Hexflange Lock |
| 17 | 532 18 06-41 | Shaft Asm Strg |
| 26 | 532 12 68-47 | Bushing Link Drag Blk LR |
| 28 | 819 13 14-16 | Washer 13/32 x 7/8 x 16 Ga. |
| 29 | 817 00 06-12 | Screw 3/8-16 x .75 |
| 30 | 876 02 04-12 | Pin Cotter 1/8 x 3/4 Cad |
| 32 | 532 13 04-65 | Rod Tie Wire Form 19 75 Mech |
| 36 | 532 15 50-99 | Bushing Strg Nat .623/.618ld |
| 37 | 532 15 29-27 | Screw TT #10-32 x 5 x 3/8 Flange |
| 38 | 532 14 01-75 | Cap Wheel Steer P/L |
| 39 | 819 18 38-12 | Washer 19/16 ID x 2-3/8 OD 12 Ga. |
| 40 | 873 54 06-00 | Nut Crownlock 3/8-24 |
| 41 | 532 18 67-37 | Adaptor Wheel Strg |
| 42 | 532 16 96-33 | Boot Shaft Steering |
| 43 | 532 12 17-49 | Washer 25/32 x 1 1/4 x 16 Ga. |
| 44 | 532 18 06-40 | Extension Steering |
| 46 | 532 12 12-32 | Cap Spindle Fr Top Blk |
| 47 | 532 18 32-26 | Fitting Grease |
| 51 | 873 54 04-00 | Nut Crownlock 1/4-28 |
| 54 | 871 13 04-20 | Bolt Hex 1/4-28 unf x 1-1/4 Gr. 8 |
| 65 | 532 16 03-67 | Spacer Brace Axle |
| 67 | 872 11 06-18 | Bolt RDHD SQ 3/8-16 unc x 2-1/4 |
| 68 | 532 16 98-27 | Brace Axle |
| 71 | 532 17 51-46 | Steering Asm. |
| 82 | 532 16 98-35 | Bracket Susp. Chassis Front |
| 88 | 532 17 51-18 | Bolt Shoulder 7/16-20 |
| 91 | 532 17 55-53 | Clip Steering |
| 95 | 532 18 89-67 | Washer Harden .793 x 1.637 x 060 |

NOTE: All component dimensions given in U.S. inches
1 inch = 25.4 mm.

REPAIR PARTS

TRACTOR - - MODEL NUMBER 12-107 (PP12107C), PRODUCT NO. 964 79 30-00
ENGINE



engine-bs.1cyl_38

REPAIR PARTS

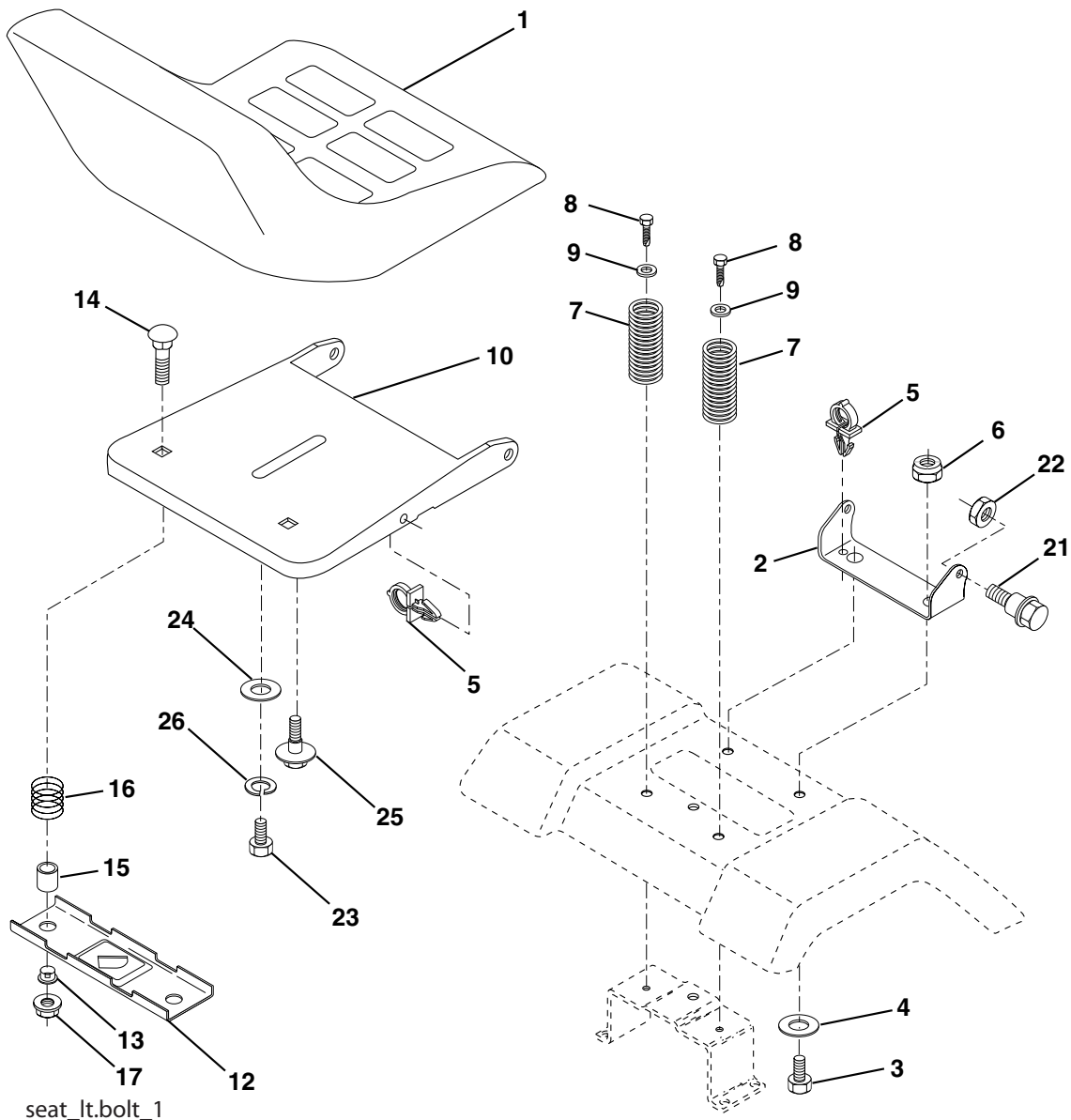
TRACTOR - - MODEL NUMBER 12-107 (PP12107C), PRODUCT NO. 964 79 30-00
ENGINE

| KEY NO. | PART NO. | DESCRIPTION |
|---------|---------------------|---|
| 1 | 532 17 05-51 | Control Th/ch Flag Eec |
| 2 | 817 72 04-08 | Screw Hex Thd Cut 1/4-20 x 1/2 |
| 3 | ----- | Engine Briggs & Stratton 21A807 (Order parts from engine manufacturer) |
| 4 | 532 17 97-58 | Muffler LT B&S 12/12 5 HP |
| 13 | 532 16 52-91 | Gasket Eng |
| 14 | 532 14 84-56 | Tube Drain Oil Easy |
| 23 | 532 16 98-37 | Shield Brn/Dbr Guard |
| 25 | 532 19 06-95 | Control Choke |
| 29 | 532 13 71-80 | Kit Spark Arrecter |
| 31 | 532 18 49-00 | Tank Fuel Front 1.25 |
| 32 | 532 14 05-27 | Cap Asm Fuel W/sym Vented |
| 33 | 532 12 34-87 | Clamp Hose Blk |
| 37 | 532 13 70-40 | Line Fuel 20" |
| 38 | 532 18 16-54 | Plug Drain Oil Easy |
| 40 | 532 12 40-28 | Bushing Snap Nyl Blk Fuel Line |
| 44 | 817 67 04-12 | Screw Hexwsh Thdrol 1/4-20 x 3/4 |
| 45 | 817 00 06-12 | Screw Hexwsh Thdrol 3/8-16 x 3/4 |
| 46 | 819 09 14-16 | Washer 9/32 x 7/8 x 16 Ga. |
| 72 | 532 18 39-06 | Screw Socket Head 5/16-18 x 1 |
| 78 | 817 06 06-20 | Screw 3/8-16 x 1-1/4 |
| 81 | 873 51 04-00 | Nut Keps Hex 1/4-20 unc |

NOTE: All component dimensions given in U.S. inches
1 inch = 25.4 mm

REPAIR PARTS

TRACTOR - - MODEL NUMBER 12-107 (PP12107C), PRODUCT NO. 964 79 30-00
SEAT



seat_lt.bolt_1

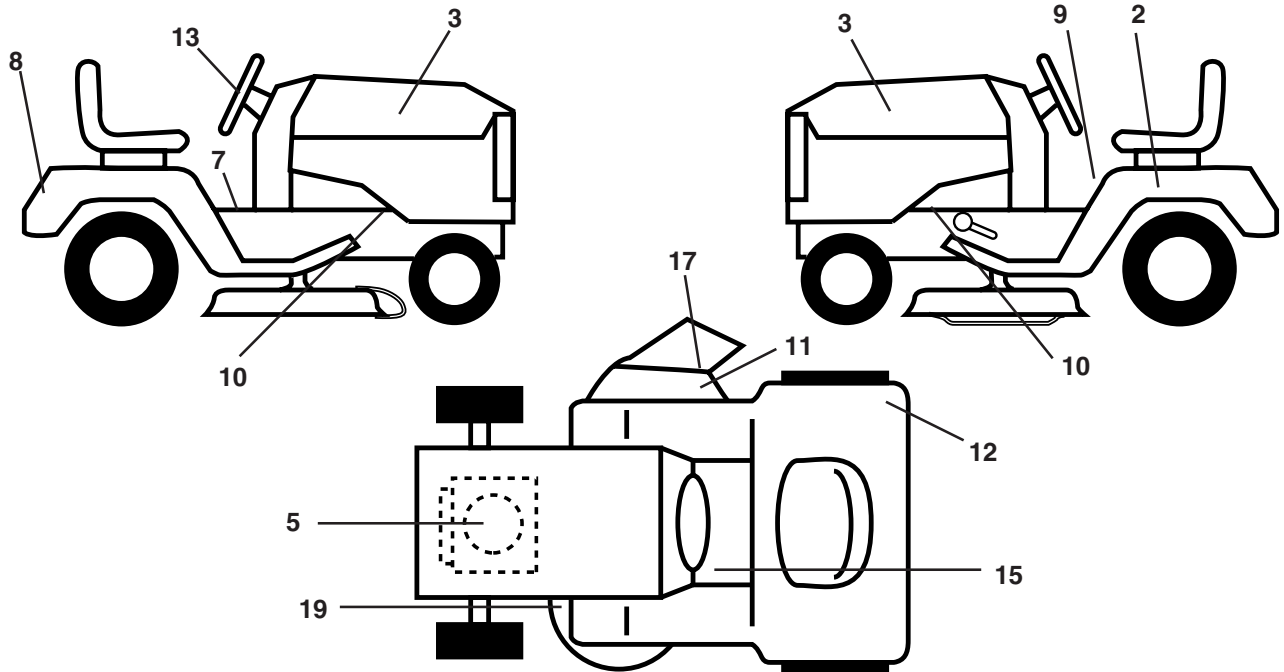
| KEY NO. | PART NO. | DESCRIPTION |
|---------|--------------|---------------------------------|
| 1 | 532 18 87-04 | Seat |
| 2 | 532 18 01-66 | Bracket Pivot |
| 3 | 871 11 06-16 | Bolt Fin Hex 3/8-16 unc x 1 |
| 4 | 819 13 16-10 | Washer 13/32 x 1 x 10 Ga. |
| 5 | 532 14 50-06 | Clip Push-In |
| 6 | 873 80 06-00 | Nut Lock Hex w/Wsh 3/8-16 unc |
| 7 | 532 12 41-81 | Spring Seat Cprsn 2 250 Blk Zi |
| 8 | 817 00 06-16 | Screw 3/8-16 x 1.5 |
| 9 | 819 13 16-14 | Washer 13/32 x 1 x 14 Ga. |
| 10 | 532 18 01-86 | Pan Seat |
| 12 | 532 12 12-46 | Bracket Mounting Switch |
| 13 | 532 12 12-48 | Bushing Snap Blk Nyl 50 Id |
| 14 | 872 05 04-12 | Bolt Rdhd Sht Nk 1/4-20 x 1-1/2 |

| KEY NO. | PART NO. | DESCRIPTION |
|---------|--------------|-----------------------------------|
| 15 | 532 13 43-00 | Spacer Split 28x 96 Yel Zinc |
| 16 | 532 12 12-50 | Spring Cprsn 1 27 Blk Pnt |
| 17 | 532 12 39-76 | Nut Lock 1/4 Lge Flg Gr. 5 Zinc |
| 21 | 532 17 18-52 | Bolt Shoulder 5/16-18 Unc -2A |
| 22 | 873 80 05-00 | Nut Lock Hex W/Insert 5/16-18 unc |
| 23 | 871 11 08-14 | Bolt Hex Black |
| 24 | 819 17 19-12 | Washer 17/32 x 1-3/16 x 12 Ga. |
| 25 | 532 12 70-18 | Bolt Shoulder 5/16-18 x 62 |
| 26 | 810 04 08-00 | Washer Lock Hvy HLCLSPR 1/2 |

NOTE: All component dimensions given in U.S. inches.
1 inch = 25.4 mm

REPAIR PARTS

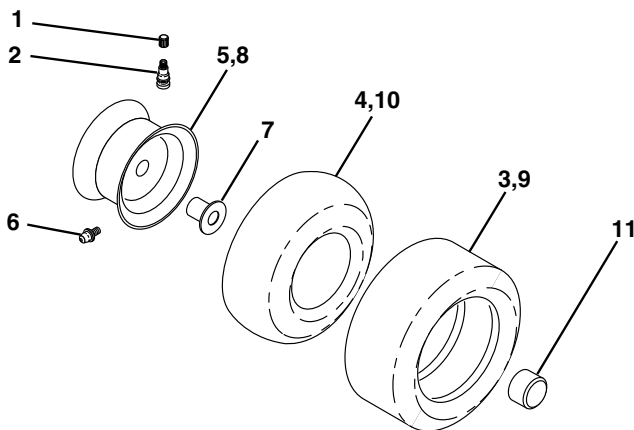
TRACTOR - - MODEL NUMBER 12-107 (PP12107C), PRODUCT NO. 964 79 30-00
DECALS



| KEY NO. | PART NO. | DESCRIPTION |
|---------|--------------|-------------------------------|
| 2 | 532 14 50-05 | Decal Bat Dan/Poi P/L Symbols |
| 3 | 532 18 96-24 | Decal Hood |
| 5 | 532 18 61-58 | Decal Engine |
| 7 | 532 14 08-37 | Decal Saddle Brake Parking |
| 8 | 532 19 03-78 | Decal Fender |
| 9 | 532 14 54-98 | Decal Read Owners Manual Syms |
| 10 | 532 15 97-36 | Decal Chassis Hot Muffler |
| 11 | 532 18 21-66 | Decal Mower Cut finger Symbol |
| 12 | 532 18 04-32 | Decal 100 Db/CE |

| KEY NO. | PART NO. | DESCRIPTION |
|---------|--------------|---------------------------------|
| 13 | 532 18 56-47 | Decal Strg Wheel Cap |
| 15 | 532 15 97-37 | Decal Brake/Clutch |
| 17 | 532 17 91-28 | Decal Deck "B" |
| 19 | 532 16 03-96 | Decal V-Belt Sch |
| -- | 532 16 25-98 | Decal Drawbar Load Limit |
| -- | 532 13 83-11 | Decal Lift Handle (Lift Handle) |
| -- | 532 18 52-39 | Manual Operator's Euro |
| -- | 532 18 52-40 | Manual Operator's Scan |

WHEELS & TIRES

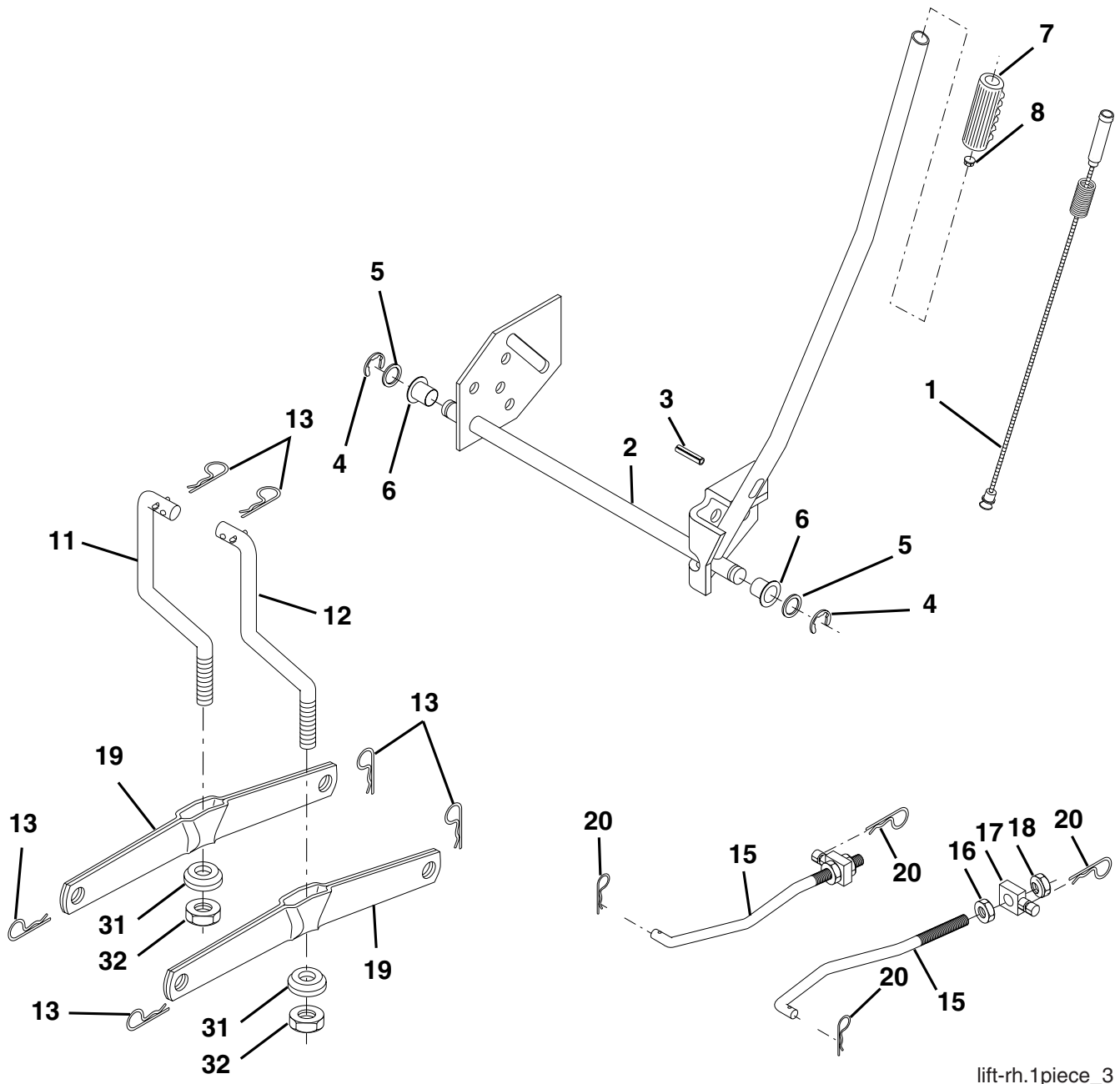


| KEY NO. | PART NO. | DESCRIPTION |
|---------|--------------|-----------------------------------|
| 1 | 532 05 91-92 | Cap Valve Tire |
| 2 | 532 06 51-39 | Stem Valve |
| 3 | 532 10 62-22 | Tire F Ts 15 X 6 0 - 6 Service |
| 4 | 532 05 99-04 | Tube Front (Service Item Only) |
| 5 | 532 12 51-21 | Rim Asm 6" front Yellow Service |
| 6 | 532 12 49-57 | Fitting Grease (Front Wheel Only) |
| 7 | 532 12 49-59 | Bearing Flange (Front Wheel Only) |
| 8 | 532 12 51-22 | Rim Asm 8" rear Yellow Service |
| 9 | 532 10 62-68 | Tire R Ts 18 x 9.5-8 C. Service |
| 10 | 532 12 49-26 | Tube Rear (Service Item Only) |
| 11 | 532 17 50-39 | Cap Axle Blk 1 50 X 1 00 |

NOTE: All component dimensions given in U.S. inches
1 inch = 25.4 mm

REPAIR PARTS

TRACTOR - - MODEL NUMBER 12-107 (PP12107C), PRODUCT NO. 964 79 30-00
MOWER LIFT



lift-rh.1piece_3

REPAIR PARTS

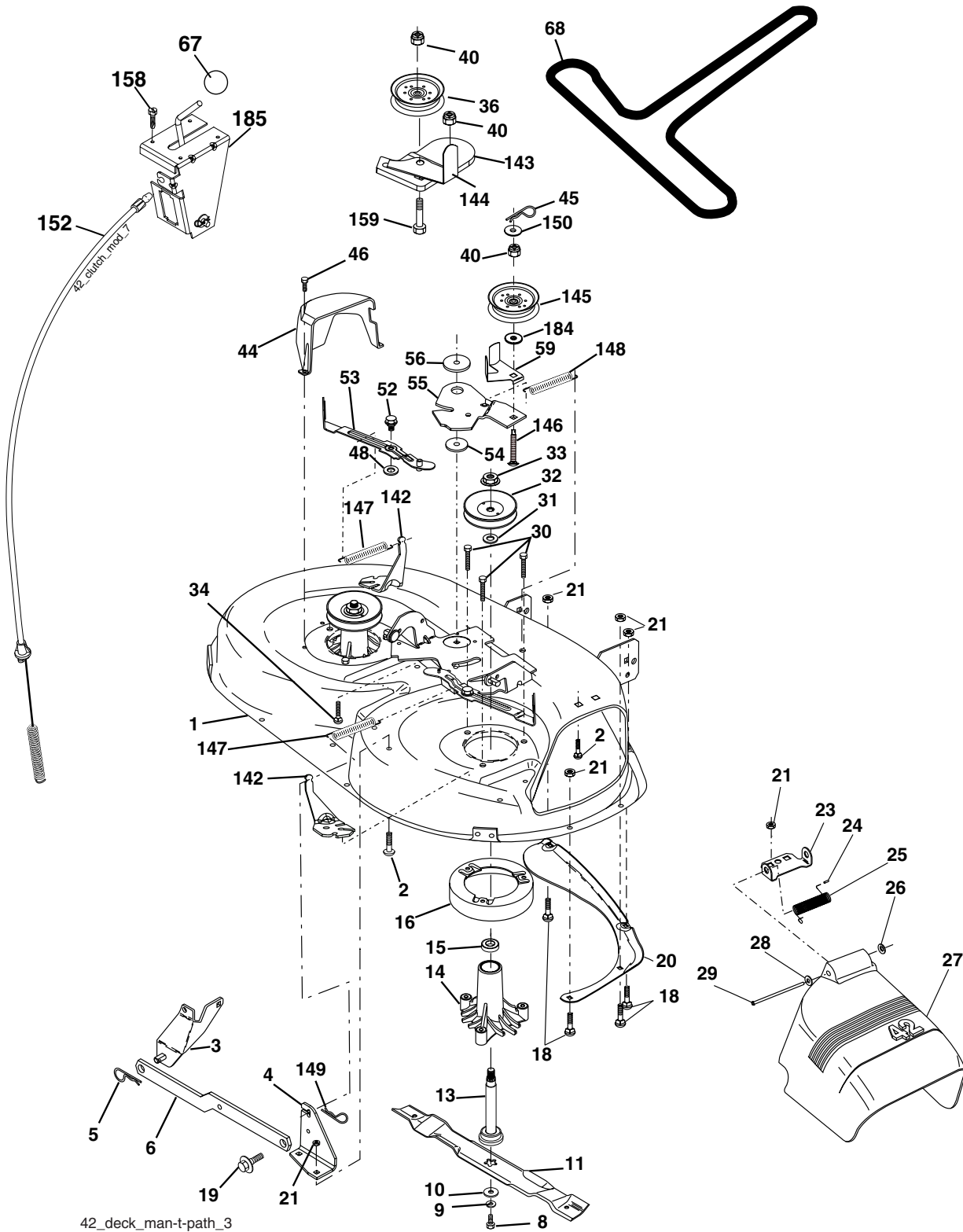
TRACTOR - - MODEL NUMBER 12-107 (PP12107C), PRODUCT NO. 964 79 30-00
MOWER LIFT

| KEY NO. | PART NO. | DESCRIPTION |
|---------|--------------|-------------------------------|
| 1 | 532 15 94-61 | Wire Asm Inner W/Plunger |
| 2 | 532 15 94-76 | Shaft Asm Lift |
| 3 | 532 17 89-81 | Pin Groove |
| 4 | 812 00 00-02 | E Ring #5133-62 |
| 5 | 819 21 16-21 | Washer PLTD 21/32 x 1 x 21Ga. |
| 6 | 532 12 01-83 | Bearing Nylon Blk 629 Id |
| 7 | 532 10 94-13 | Grip Handle Bicycle Matte Blk |
| 8 | 532 12 45-26 | Button Plunger Black |
| 11 | 532 13 98-65 | Link Lift LH |
| 12 | 532 13 98-66 | Link Lift RH |
| 13 | 532 12 46-70 | Retainer Spring |
| 15 | 532 17 32-88 | Link Front |
| 16 | 873 35 08-00 | Nut Jam Hex 1/2-13 unc |
| 17 | 532 17 56-89 | Trunnion |
| 18 | 873 80 08-00 | Nut Lock w/wsh 1/2-13 unc |
| 19 | 532 13 98-68 | Arm Suspension Rear |
| 20 | 532 16 35-52 | Retainer Spring |
| 31 | 532 16 98-65 | Bearing Pvt Lift |
| 32 | 873 54 06-00 | Nut Crownlock 3/8-24 |

NOTE: All component dimensions given in U.S. inches
1 inch = 25.4 mm

REPAIR PARTS

TRACTOR - - MODEL NUMBER 12-107 (PP12107C), PRODUCT NO. 964 79 30-00
MOWER DECK



42_deck_man-t-path_3

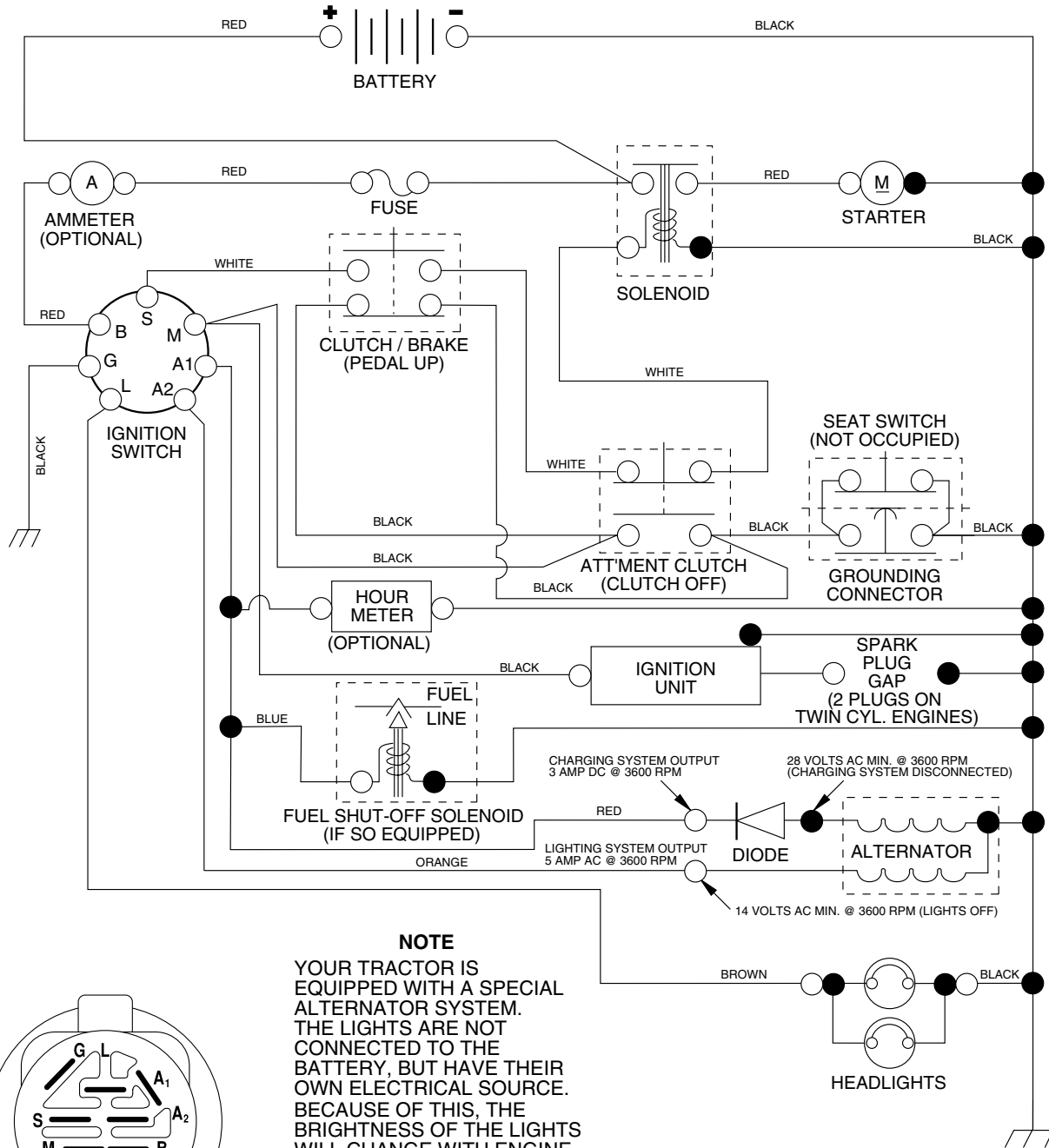
REPAIR PARTS

TRACTOR - - MODEL NUMBER 12-107 (PP12107C), PRODUCT NO. 964 79 30-00
MOWER DECK

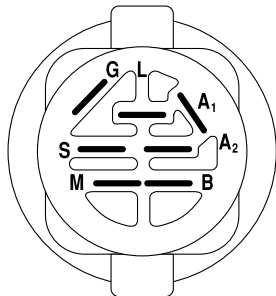
| KEY NO. | PART NO. | DESCRIPTION | KEY NO. | PART NO. | DESCRIPTION |
|---------|--------------|------------------------------------|---------|--------------|--|
| 1 | 532 16 58-92 | Housing Asm Mower 42" T-Path | 45 | 532 12 47-88 | Spring Retainer 1" Zinc/cad |
| 2 | 872 14 05-06 | Bolt Rdhd Sqnk 5/16-18unc x3/4 | 46 | 532 13 77-29 | Screw Hex Thd Cut 1/4-20x5/8 T |
| 3 | 532 13 80-17 | Bracket Asm Fr Sway Bar 38/42 | 48 | 532 13 39-44 | Washer Hardened Smaller |
| 4 | 532 16 54-60 | Bracket Asm Deck 42" sway Bar | 52 | 532 13 98-88 | Bolt Shoulder 5/16-18 Unc Blkz |
| 5 | 532 12 46-70 | Retainer Spring | 53 | 532 18 49-07 | Arm Asm Pad Brake |
| 6 | 532 17 80-24 | Bar Sway Deck | 54 | 532 17 85-15 | Washer Hardened |
| 8 | 532 85 08-57 | Bolt 3/8 - 24 x 1.25 Gr. 8 | 55 | 532 15 50-46 | Arm Idler 42" mower LT/YT |
| 9 | 810 03 06-00 | Washer Lock Hvy 3/8 Unplated | 56 | 532 16 57-23 | Spacer Retainer Pm Mower |
| 10 | 532 14 02-96 | Washer Hard Blade Mower | 59 | 532 14 10-43 | Guard TUV Idler |
| 11 | 532 13 89-71 | Blade Mower High Lift | 67 | 532 10 69-32 | Knob Rd 3/8-16 Plstc Thds Blk |
| 13 | 532 13 76-45 | Shaft Asm W/Lower Bearing | 68 | 532 18 02-15 | V-Belt Mower |
| 14 | 532 12 87-74 | Housing Mandrel Vented (Machd) | 142 | 532 16 58-90 | Arm Spring Brake Mower |
| 15 | 532 11 04-85 | Bearing Ball Mandrel | 143 | 532 15 71-09 | Bracket Arm Idler 42" |
| 16 | 532 17 44-93 | Stripper Round Mower | 144 | 532 15 86-34 | Keeper Belt 42" Clutch Cable |
| 18 | 872 14 05-05 | Bolt Carr 5/16-18 x 5/8 | 145 | 532 16 58-88 | Pulley Idler Flat |
| 19 | 532 13 28-27 | Bolt Shoulder | 146 | 532 17 19-77 | Bolt Carriage Idler |
| 20 | 532 15 97-70 | Baffle Vortex 42" | 147 | 532 17 97-48 | Spring Extension |
| 21 | 873 68 05-00 | Nut Crown Lock 5/16-18 | 148 | 532 16 90-22 | Spring Return Idler |
| 23 | 532 17 75-63 | Bracket Deflector Mower 42" | 149 | 532 16 58-98 | Retainer Spring Yellow |
| 24 | 532 10 53-04 | Cap Sleeve 80 x 112 Blk Mower | 150 | 819 09 12-10 | Washer 9/32 x 3/4 x 10 Ga. |
| 25 | 532 12 37-13 | Spring Torsion Deflector 2 52 | 152 | 532 18 15-55 | Clutch Cable 42" |
| 26 | 532 11 04-52 | Nut Push Phos & Oil | 158 | 817 72 04-08 | Screw Hex Thd Cut 1/4-20 x 1/2 |
| 27 | 532 17 18-59 | Shield Deflector Mower 42" | 159 | 872 14 06-14 | Bolt Rdhd Sq 3/8-16 unc x 1-3/4 |
| 28 | 819 11 10-16 | Washer 11/32 x 5/8 x 16 Ga. | 184 | 819 13 14-10 | Washer 13/32 x 7/8 x 10 Ga. |
| 29 | 532 13 14-91 | Rod Hinge 42" 6 75 Wlg | 185 | 532 18 82-34 | Head Asm. Cable Clutch |
| 30 | 532 17 39-84 | Screw Thdrol | -- | 532 18 19-25 | Replacement Mower, Complete |
| 31 | 532 18 76-90 | Washer Spacer | -- | 532 13 07-94 | Mandrel Asm. (Includes Housing, Shaft and Shaft Hardware Only - Pulley Not Included) |
| 32 | 532 15 35-35 | Pulley Mandrel 42/44/50 | | | |
| 33 | 532 17 83-42 | Nut Top Lock Flng | | | |
| 34 | 872 11 06-12 | Bolt Carr. Sh 3/8-16 x 1-1/2 Gr. 5 | | | |
| 36 | 532 13 14-94 | Pulley Idler Flat 3 060 | | | |
| 40 | 873 90 06-00 | Nut Lock Flg 3/8-16 unc | | | |
| 44 | 532 14 00-88 | Guard Mandrel LH Black | | | |

NOTE: All component dimensions given in U.S. inches
1 inch = 25.4 mm

TRACTOR - - MODEL NUMBER 12-107 (PP12107C), PRODUCT NO. 964 79 30-00 SCHEMATIC



NOTE
YOUR TRACTOR IS EQUIPPED WITH A SPECIAL ALTERNATOR SYSTEM. THE LIGHTS ARE NOT CONNECTED TO THE BATTERY, BUT HAVE THEIR OWN ELECTRICAL SOURCE. BECAUSE OF THIS, THE BRIGHTNESS OF THE LIGHTS WILL CHANGE WITH ENGINE SPEED. AT IDLE THE LIGHTS WILL DIM. AS THE ENGINE IS SPEEDED UP, THE LIGHTS WILL BECOME THEIR BRIGHTEST.



IGNITION SWITCH

| POSITION | CIRCUIT | "MAKE" |
|-----------|------------|--------|
| OFF | M+G+A1 | NONE |
| RUN/LIGHT | B+A1 | A2+L |
| RUN | B+A1 | NONE |
| START | B + S + A1 | NONE |

WIRING INSULATED CLIPS

NOTE: IF WIRING INSULATED CLIPS WERE REMOVED FOR SERVICING OF UNIT, THEY SHOULD BE REPLACED TO PROPERLY SECURE YOUR WIRING.

02363

NON-REMOVABLE CONNECTIONS

REMOVABLE CONNECTIONS